

MINUTES OF WAITARA COMMUNITY BOARD

FILE REFERENCE: ECM 7459894
MEETING DATE: Friday 30 June 2017 at 9am.
VENUE: Waitara Library & Service Centre
MEMBERS PRESENT: Mr Andrew Larsen (Chair), Mr Trevor Dodunski, Mr Joe Rauner, Mr Jonathan Marshall and Cr Colin Johnston

NON-MEMBERS PRESENT: Councillors Alan Melody, John McLeod and Harry Duynhoven.

STAFF IN ATTENDANCE: Julie Straka, Mitchell Dyer, Joe Eager and Jayne Beer

PUBLIC COMMENT

Waitara Project Group

Fiona Clarke and Andrea Moore made a public comment asking for a monitored camera to be returned to Wrights Lane at the back of the Waitara Community Shop, to assist with stopping the dumping of rubbish at the shop's back entrance in Wrights Lane.

Waitara Offshore Fishing Club

Joe Rauner tabled a plan from the Waitara Offshore Fishing Club advising of proposed boat wash at Waitara Marine Park. (ECM7458855)

DEPUTATION

Vicky Dombroski – Waitara Alive

Vicky Dombroski advised of the Community Development Programme work currently being undertaken by Waitara Alive. Vicky advised that there were some areas in the Community Board Plan that could create an opportunity to work together.

CONFIRMATION OF MINUTES OF PREVIOUS MEETING

Moved: Jonathan Marshall

Seconded: Colin Johnston

Resolved:

That the minutes of the Waitara Community Board meeting dated Friday 26 May 2017 (ECM7429283) and the proceedings of the said meeting, as previously circulated, be taken as read and confirmed as a true and accurate record.

MATTERS FINALLY DETERMINED BY THE WAITARA COMMUNITY BOARD UNDER DELEGATED AUTHORITY AND REFERRED TO THE COUNCIL FOR INFORMATION AND RECORD

1. Members Activity Report – Jonathan KP Marshall

File Reference: ECM7459850

This report advises of the community board activities of Jonathan Marshall in the period to 19 June 2017.

Resolved:

Moved: Jonathan Marshall

Seconded: Joe Rauner

That, having considered all matters raised in the report, the report be noted.

2. Adoption of Community Board Plan – Waitara Community Board

File Reference: ECM7435569

The matter for consideration by the Community Board is adoption of Phase One and Two of the Waitara Community Board Plan.

Resolved:

Moved: Joe Rauner)

Seconded: Jonathan Marshall)

That, having considered all matters raised in the report, the Waitara Community Board Plan be adopted with the following amendments:

- 1) On Page 6 of the Waitara Community Board Plan – Under 1 – 3 years, the words “and completion” be added to read:

“Planning and completion of the Walkway connection between Waitara (West Quay) and New Plymouth (starting from Waitara)”

- 2) On Page 7 of the Waitara Community Board Plan – Under 3 – 5 years, the following be removed:

“Completion of the Walkway connection between Waitara and New Plymouth (starting from Waitara).”

ITEMS FOR FINAL DETERMINATION BY THE COUNCIL

3. Adoption of Statement of Proposal for Special Consultative Procedure on Class 4 Gambling Policy and TAB Venues Policy

The matters for consideration by the Council are the review of the Class 4 Gambling and the TAB Venues Policies, and that the Statement of

Proposal with the draft policies be approved and released for consultation using the special consultative procedure.

Resolved:

Moved: Andrew Larsen)

Seconded: Jonathan Marshall)

That having considered all matters raised in the report the Council:

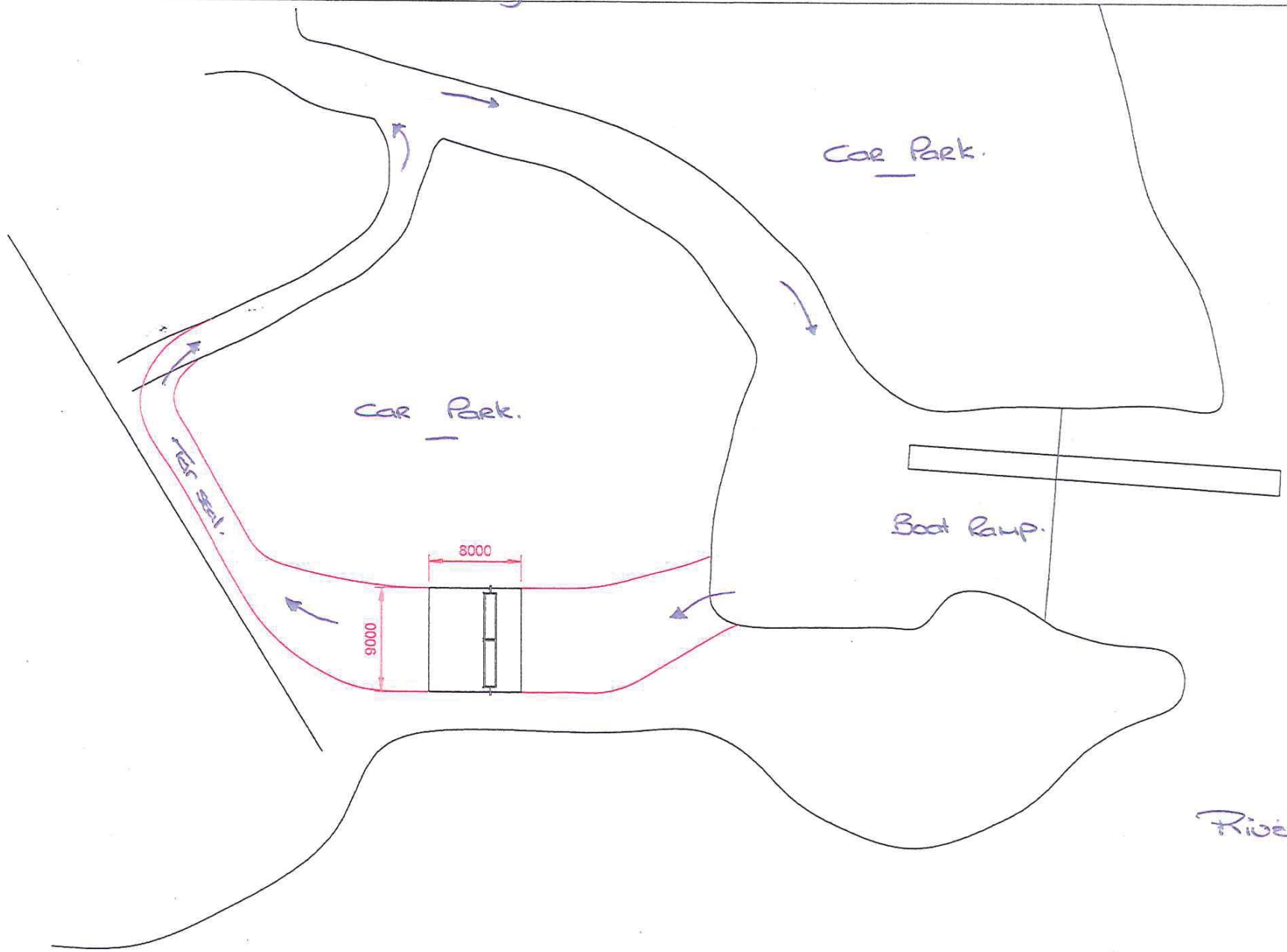
- a) Adopt the Statement of Proposal for Special Consultative Procedure on the proposed Class 4 Gambling Venues Policy and TAB Venues Policy; and
- b) Note that consultation on the two policies will be undertaken from 15 July to 15 August 2017

The meeting closed at 10.32am.

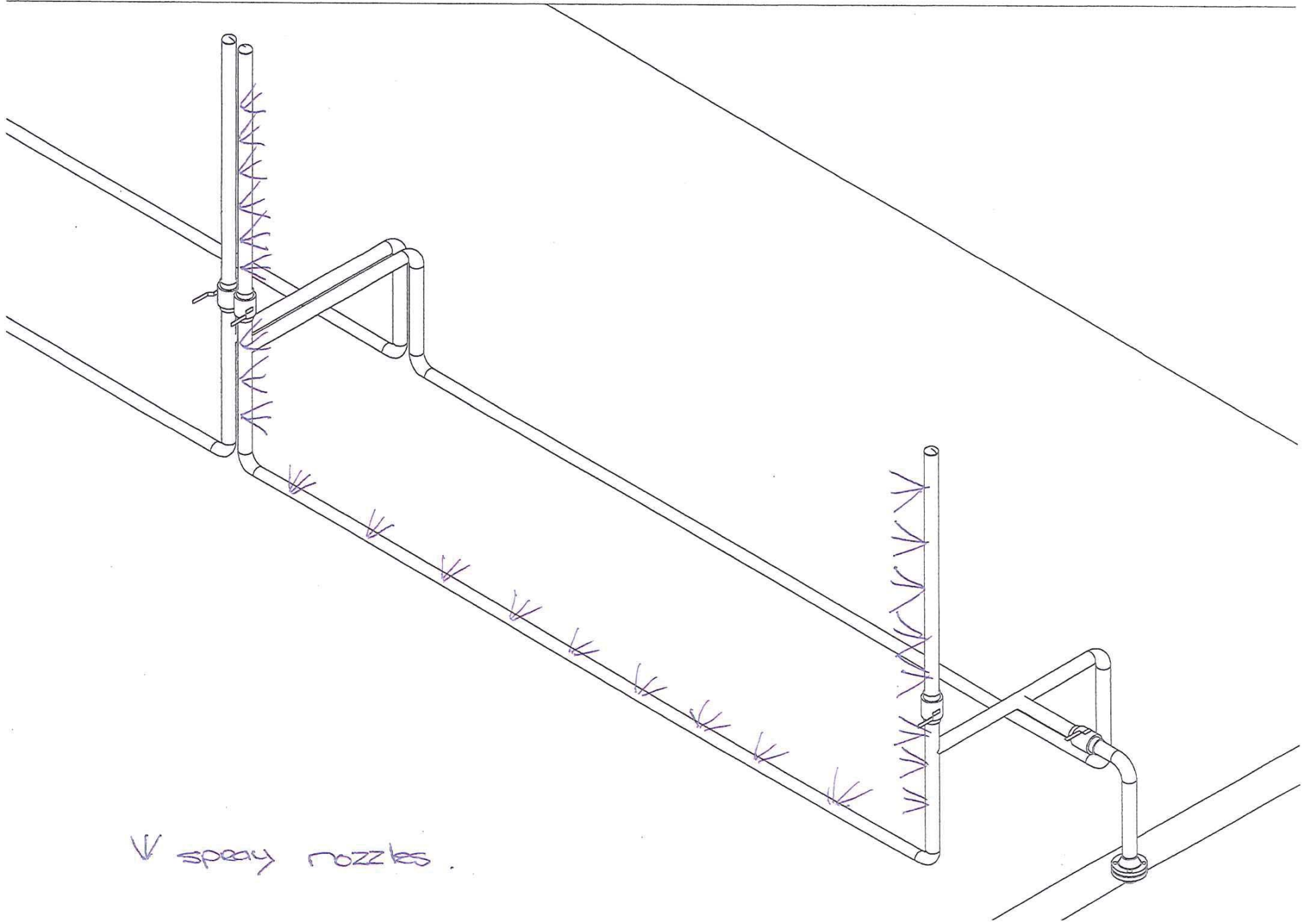
-----*End of Minutes*-----

* Waitara Offshore Fishing Club *

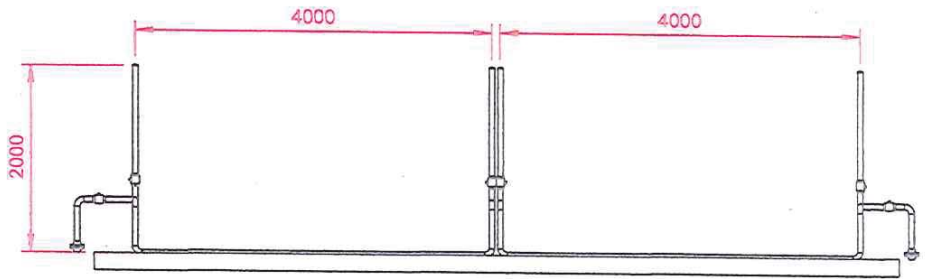
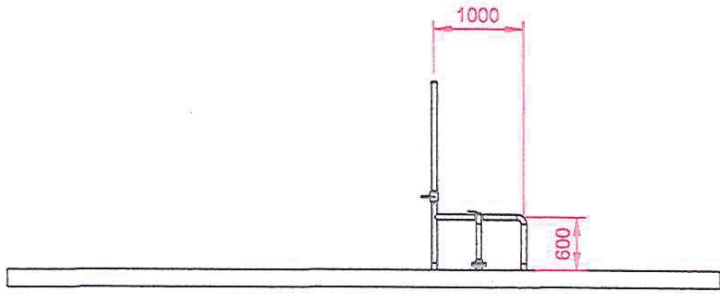
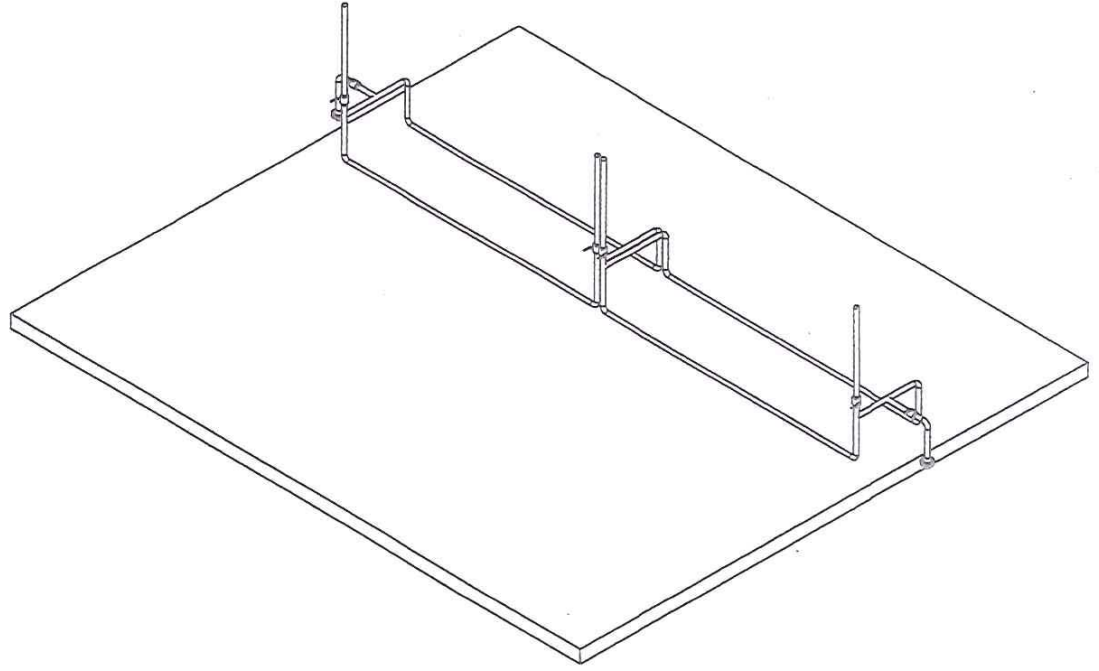
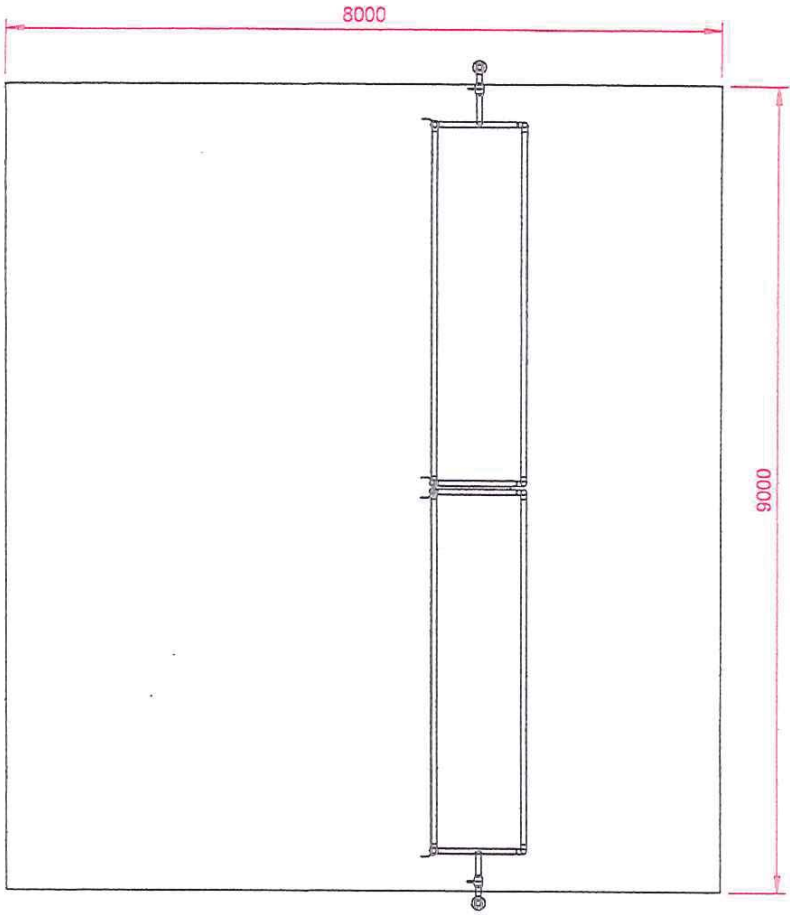
Boat Wash - Waitara Marine Park



Waitara Community Board - 30 June 2017
Document tabled on behalf of
Waitara Offshore Fishing Club



↙ spray nozzles





Search...
Example: '10 Glasgow' or '1235000600'

I want to...

